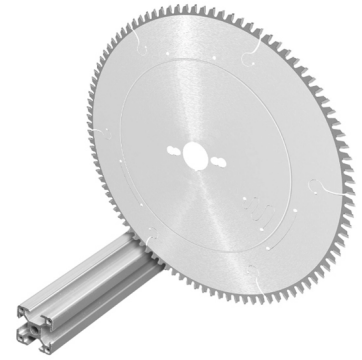


## Cutting of profiles

If you want your profiles in a specific length, we can do that for you. Note in the order remarks the lengths you want in millimeters



If you want your profiles in a specific length, we can do that for you. We cut in straight cuts.

NOTE: The price is per cut, so if you have a profile that needs to be cut in 3 places, then you have 3 cuts in the basket.

We only offer custom cuts for measurements over 250mm!

When ordering please inform us which lengths you want by writing a comment in the commentssection as shown on the picture above. All measurements must be given in mm / millimeters. The saw blade takes approx. 5mm material and since there can be a slight variation in the profile lengths, you should calculate an extra cut, if all the lengths need to have same measurements.

When ordering please inform us which goals / lengths you want by writing a comment in the comments field as shown in the picture.

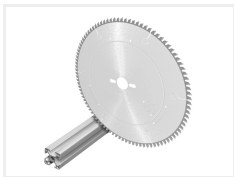
Notice: If you chose profiles in custom lengths, the right to return is waived.

matronics

Buy online at [www.matronics.eu/989806](http://www.matronics.eu/989806)

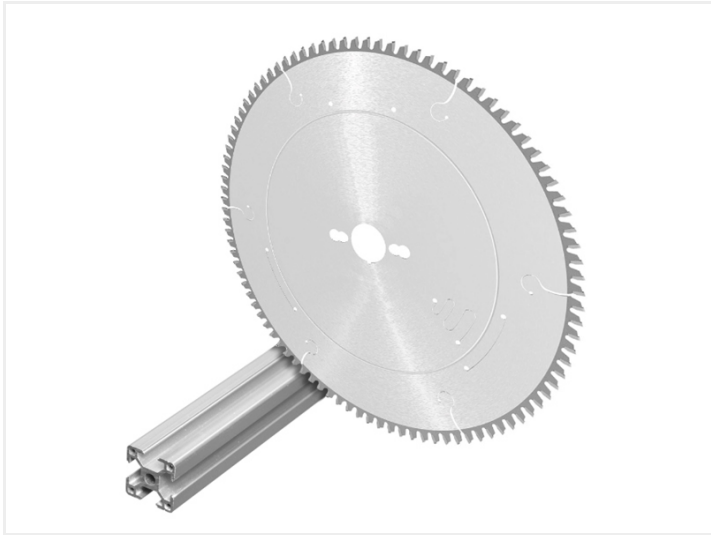
## Product overview

### Cutting of profiles



SKU 989806

# Product pictures



Trin:

1. Adresse og kontakt info
2. Levering og betaling
3. Bekræft info

### Dine oplysninger

Indtast dine oplysninger

#### Kunde info

Adresse type:  Fornavn \*:  Efternavn \*:

Gade \*:  Husnr. \*:

Postnummer \*:  By \*:

Land:

Email \*:  Telefon \*: (Mobil)

#### Leveringsadresse

Send ordre til anden adresse

#### Dine bemærkninger

Indtast dine bemærkninger til ordren, og de bestilte produkter

1 x 100 mm  
2 x 500 mm

#### Nyhedsbrev

Tilmeld dig til vores nyhedsbrev

[Fortæll checkud](#)