

Lightbase for large Scania V8 sign, IP65

LED lightbase for the large Scania V8 emblem, that is 123mm wide. Completely waterproof. Multiple options.



LED lightbase for the large Scania V8 emblem, that is 123mm wide. The base gives you a nice Neon-outline around the emblem, that is visible both day and night. The base is available with various colors.

It is made from impact resistant polycarbonate, and the light is potted in resin, making the base completely waterproof.

There is no emblem included, so you will have to move the existing, or purchase an emblem separately.

Mounting

The base is fastened with 2 x M5 bolts, where after the original emblem is glued on top. You only need holes for the bolts and for the wire, then the base is connected to power.

Connecting

There are 3 wires, a common plus and a minus for each color. You select color by changing which wire is connected to minus. You should not have both colors connected at the same time.

The color of the two minuses will be the same as the light color, eg. yellow wire for yellow light, white wire for white light. The remaining wire is the plus.

matronics.nl

Buy online at www.matronics.eu/240874-AMCW

Specifications

Voltage	24V-30V DC
LEDs	69
Current	0,3A
Power	7W

Product overview

Lightbase, Dual Color Yellow / Xenon White



SKU 240874-AMCW
Dimensions: 114 x 132mm

Lightbase, Dual Color Yellow / Red



SKU 240874-AMRD
Dimensions: 114 x 132mm

Lightbase, Dual Color Yellow / Warm white



SKU 240874-AMWW
Dimensions: 114 x 132mm

Lightbase, Dual Color Red / Xenon white



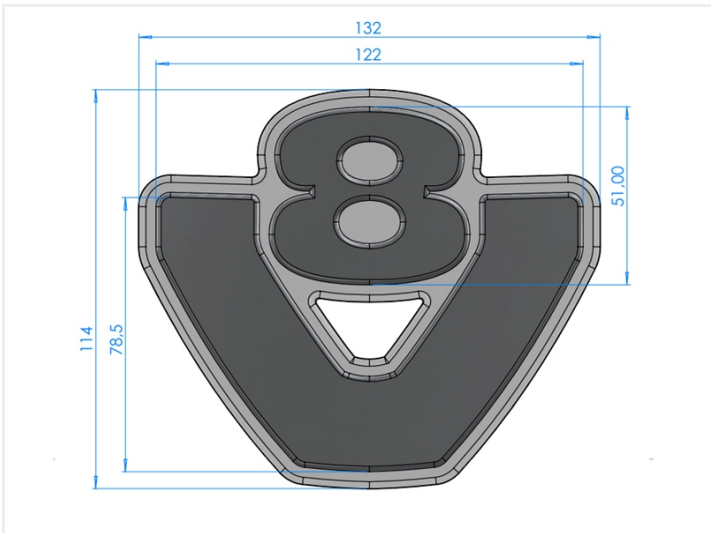
SKU 240874-CWRD
Dimensions: 114 x 132mm

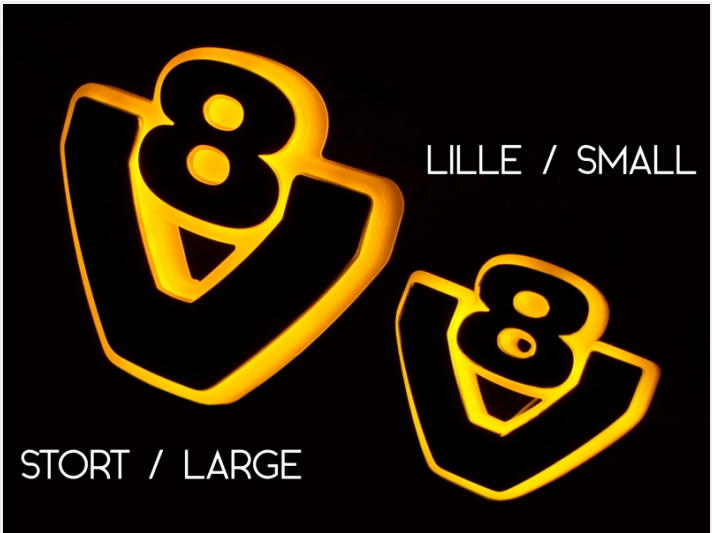
Accessories, Original sign without light



SKU 240874

Product pictures





LILLE / SMALL

STORT / LARGE