

DUAL FUNCTION

STROBE LIGHT INSTRUCTION



FEATURES

- DC 12-24V
- 21 Flash patterns
- Size: L132*W51*H19 mm
- Max Qty of SYNC'D Heads: 14 units
- Meets IP67/IP69K ingress protection standards
- 30°C to +60°C extreme temperature reliability
- Bolts or bracket mounting
- With memory function
- Can synchronous simultaneous or alternating
- Strobe light approval: CE, ECE R10, ECE R65 XA1/XB1, SAE J595 Class1, CISPR 25 Class 3
- Signal light approval: ECE R148 (rear direction indicator lamp/ rear position lamp/reversing lamp)

(Actual approval depending on the selected product)

Strobe light LED colour



Signal light LED colour



FLASH PATTERNS

1	Single flash	12	Single flash - split
2	Single flash - Slow	13	Double flash - split
3	Double flash	14	Quad flash - split
4	Double flash - Slow	15	Octa flash - split
5	Triple flash	16	Single flash - split accelerate
6	Quad flash	17	Double flash - split accelerate
7	Quad flash - Slow	18	SOS flash
8	Octa flash - Fast	19	Cycle(1,8,3,9,4,13)
9	Octa flash - Slow	20	Cycle(2,7,9,11,14,16)
10	Twelve flash	21	Steady on
11	Sixteen flash	#18/19/20/21 without Alternating Flash	



WARNING!

Do not look directly into LEDs while in operation; this may cause momentary blindness and/or eye damage.

WIRE

RED..... +VDC (Control high intensity strobe light)

BLACK..... - GROUND

GREY..... + VDC (Control signal light)

(Independent outer ring available for rear direction indicator lamp/ rear position lamp/ reversing lamp, The signal function depends on the actual product)

WHITE Constantly connect to black wire to achieve low intensity of strobe light

YELLOW..... Control strobe light pattern Selection + Synchronization (Simultaneous or Alternating Flash)

(1) Pattern Selection - Apply Yellow to Black wire

.....Less than 1s for next pattern

.....3 to 5s for previous pattern

.....6 to 9s back to pattern #1

(2) Synchronization: when ungrouped, connect the yellow wire of all heads together to achieve it.

(3) Simultaneous or Alternating Flash + Reset group - Apply Yellow to Black wire

① Simultaneous or Alternating Flash

Step 1: Set Group A

connect yellow wire of all **Group A**'s head together, apply to black wire **16-19s**, Group A is set.

(Group A will not light up at this time, which is the normal phenomenon.)

Step 2: Set Group B

connect yellow wire of all **Group B**'s head together, apply to black wire **21-24s**, Group B is set.

(Group B will light up and can change flash pattern after power off and on; and it will follow Group B's flash pattern when connect yellow wire of Group A and Group B together.)

Step 3: Set Group A/B

connect yellow wire of Group A and Group B together,

apply it to black wire **11-14s** for Alternating flash;

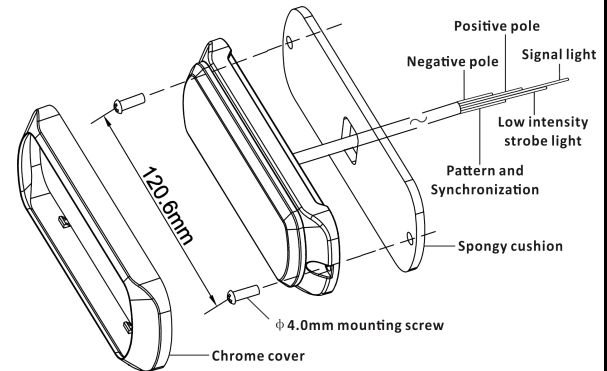
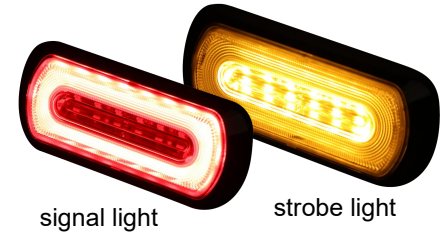
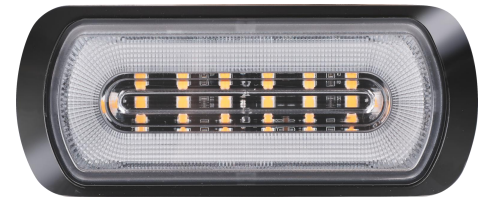
apply it to black wire **11-14s** again back to Simultaneous flash.

(If the time is exceed 14S, all heads will NOT light up, need reset group and grouping again.)

② Reset group:

Connect yellow wire of Group A and Group B's head together,
apply to black wire **21-24s**, then power off and on, head light up,
means resetting successfully.

(Then can use individually or group again)



NOTE:

1. When yellow wire apply to black wire, no matter how many seconds, suggest using stopwatch to ensure getting the ideal function successfully.
2. After grouping, it need to power off, and reset group, it will light up.